



Principal applications

Designed for hot & cold drinks vending, water circulation, re-circulation & cooling duties in beverage, laboratory, agricultural, print, photographic & industrial processing applications and other short time rated applications.
12 Volt & 24 Volt versions to suit vehicular applications

Features

Magnetically coupled, sealless leak-free design
Pump body orientation easily altered to suit installations
Variable mounting foot positions
Lifts to 5 metres

DC15/5
12V DC
12V DC

Port Details
1/4" BSP
Plain 13mm

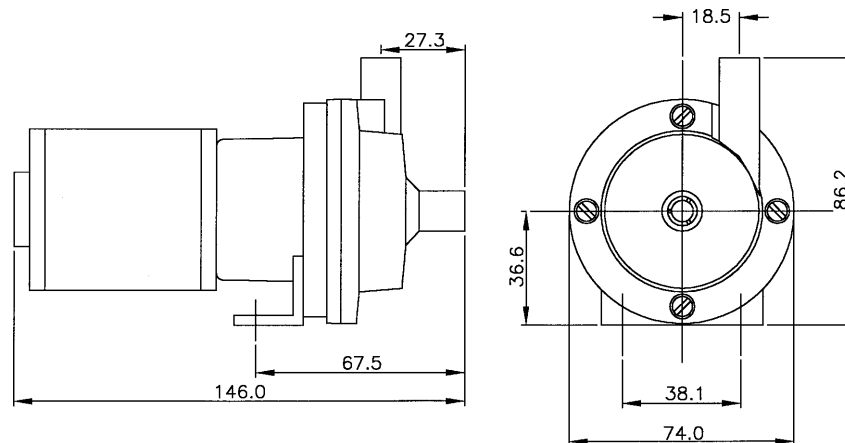
DC15/5
24V DC
24V DC

Port Details
1/4" BSP
Plain 13mm



Drawings not to scale
Dimensions in millimetres

DC15/5

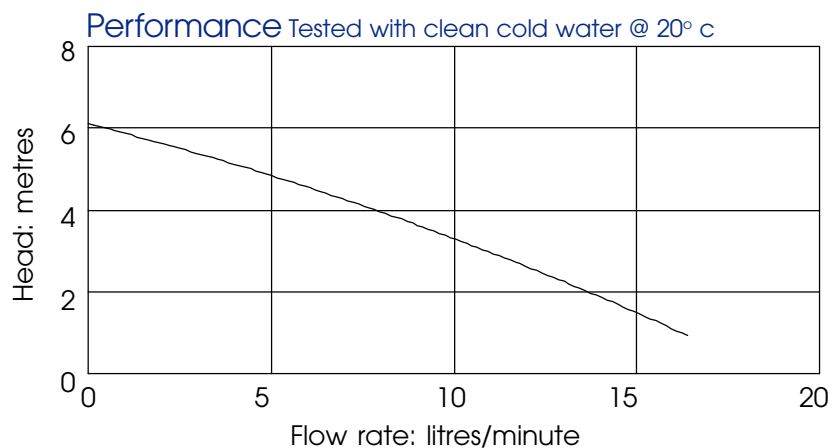


mounting foot fixing holes:M5

Specification

Model	Overall height mm	Overall length mm	Overall width mm	Weight kilos	Max body pressure bar	Max capacity litres/min	Max head metres	Temp range °c	*Max specific gravity	Motor output Watts
DC15/5	86	146	74	0.8	1.4	15	6.0	-20° to +85°	1.0	25

*assuming maximum viscosity Of 30cp. Refer to the Company for higher viscosities & specific gravities



NOTE: VM pumps are not self-priming & are not designed to run dry.

The company reserves the right to change specifications

a division of *the* Electric Motor Company Limited

phone+44 (0)23 8066 6685
fax+44 (0)23 8066 6880
email: info@totton-pumps.com
www. totton-pumps.co.uk